

Product features



- Stand alone type Dimmable adjustable output power LED driver
- Flicker-free LED driver
- Supports DALI-2, push Dimming
- Output current 100...450 mA
- Max. output power 15 W
- Constant lumen output (CLO)
- For luminaires of protection class I,II
- 5 years warranty



Product specifications

168323 ID CCCI 15/230/100-450 DALI FV1

Output current	Input voltage	Output voltage	Efficiency @full load	Current accuracy	Power factor @full load	Dimension LxWxH (mm)
100...200mA	220...240 Vac 220...240 Vdc	2.5-52Vdc	81%	± 5%	≥ 0.9	145x33x21
250mA		2.5-52Vdc	85%	± 5%		
300mA		2.5-50Vdc	85%	± 5%		
350mA		2.5-42Vdc	85%	± 5%		
400mA		2.5-37Vdc	85%	± 5%		
450mA		2.5-33Vdc	85%	± 5%		

Electrical specifications

Mains voltage supply

Rated input voltage range	220...240 Vac
Max. input voltage range	198...264 Vac
Rated frequency range	0/50/60 Hz
Max. input current	0.085 A @ 230 Vac

Battery operation

DC voltage range	220...240Vdc
Max. DC voltage range	176...276 Vdc

Protection against voltage peaks

Withstand voltage	I/P-O/P: 3.0 kVac, < 5 mA 60 sec; I/P-DA/P: 1.5 kVac, < 5 mA 60 sec; O/P-DA/P: 1.5 kVac, < 5 mA 60 sec
Mains surge immunity	L-N 1 kV

Total harmonic distortion (THD)

At rated input voltage range @ full load	≤ 20%
--	-------

Output data

Output current tolerance	100...450 mA \pm 5% at rated input voltage range
No load output voltage	59 Vdc
Output PstLM	\leq 1 at full load @ rated input voltage
Output SVM	\leq 0.4 at full load @ rated input voltage

Protection functions output side

Overvoltage protection	The output voltage is less than or equal to 59V
Overpower protection	The output power is less than or equal to 18 W
Short circuit protection	Yes

Dimming operation and interface

Dimming mode	DALI-2, Push Dimming
Dimming method	Amplitude dimming
Dimming current range	1%~100%
Standby power consumption	\leq 0.5 W

Connection terminals

Connection terminal type	45° push in terminal
Wire cross section	Primary side: 0.75 -1.5 mm ² ; secondary side: 0.5 - 1.5 mm ²
Wire stripping length	8...9 mm

Degree of protection

Protection rating	IP20
-------------------	------

Operating data

Output current range	NFC control adjusts the current: 100...450 mA
Default current	100 mA
Output voltage range	2.5...52 Vdc
Noise level	< 20 dB, at full load @ 100 cm distance

Circuit breaker / Inrush current

	Inrush current Ipeak: 1.55 A			Inrush current Twidth: 30 μ s	
MCB loading quantity	MCB type	B10	C10	B16	C16
	Units	104	104	166	166

Supplementary instructions

- The luminaire manufacturer is responsible for measuring and verifying the EMI compliance of the complete luminaire, as the level of radio interference will vary depending on the luminaire construction. Especially primary and secondary cable lengths and their routing may have a significant effect on radio interference.
- For the push DIM function, please follow our instructions, which can be downloaded from www.cupower.com.
- Short circuit protection: Hiccup mode. Protection device will trigger when short circuit and will auto recover after the fault mode is removed

Environmental specifications

Operating temperature	-40...+50°C
Storage temperature	-40...+80°C
Working humidity	10%...90%
Store humidity	5%...95%
Lifetime	at Tc 75°C: 50,000 hrs; at Tc 65°C: 100,000 hrs; @ 230 Vac
Maximum Tc temperature	75°C

Safety & EMC compliance

ENEC+CE
EN 61347-1:2015/A1:2021
EN 61347-2-13:2014/A1:2017
EN IEC 62384:2020
EN 61347-1:2015/A1:2021
EN 61347-2-13:2014/A1:2017
EN 62493:2015

CCC
GB 17625.1-2012
GB/T 17743-2021
GB 19510.1-2009
GB 19510.14-2009

SAA
AS/NZS 61347.2.13:2018
AS/NZS 61347.1:2016+A1:2018

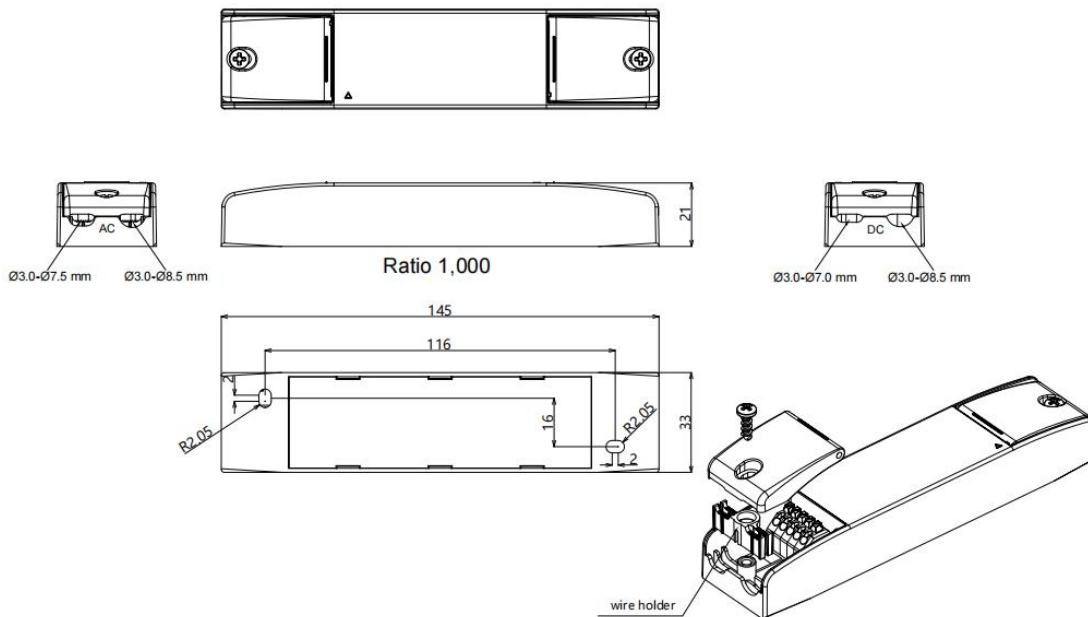
Dimensions

Housing dimensions

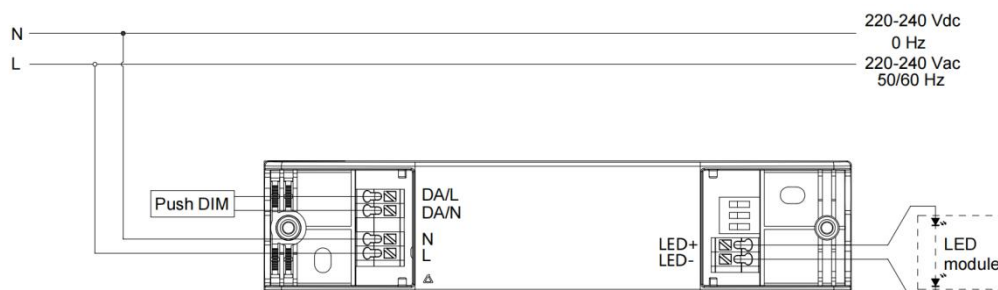
Length (L)	145 mm
Width (W)	33 mm
Height (H)	21 mm
Weight	0.08 kg

Packaging details

Packing units	48 pcs
Carton size	303 x 225 x 120 mm
Weight	4.1 kg



Wiring diagram



- All connections must be as short as possible to ensure good EMI performance.
- The luminaire wire should keep a certain distance from the LED power supply and other wires (5 - 10 cm is preferred).
- No secondary switches are allowed.
- Incorrect wiring can damage the LED.
- The wire must be well protected against short circuit.

Adjustable Output Current with dip-switch

Vout	Pout	Iout	1	2	3
2.5-52Vdc	5.2W	100mA	-	-	-
2.5-52Vdc	7.8W	150mA	-	-	ON
2.5-52Vdc	10.4W	200mA	-	ON	-
2.5-52Vdc	13W	250mA	-	ON	ON
2.5-50Vdc	15W	300mA	ON	-	-
2.5-42Vdc	14.7W	350mA	ON	-	ON
2.5-37Vdc	14.8W	400mA	ON	ON	-
2.5-33Vdc	14.85W	450mA	ON	ON	ON

Technical information

