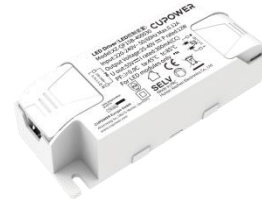


### Product features

- Fixed Output independent LED driver
- Flicker-free LED driver
- Output current 350 mA
- Max. output power 14 W
- For luminaires with protection class II
- 5 years warranty



### Product specifications

164509 XZ-QF15B-400035

Output current	Input voltage	Output voltage	Efficiency @full load	Current accuracy	Power factor @full load	Dimension LxWxH (mm)
350 mA	220...240 Vac	25...40Vdc	82%	± 5%	≥ 0.9	93X36X24.5

### Electrical specifications

#### Mains voltage supply

Rated input voltage range	220...240 Vac
Max. input voltage range	198...264 Vac
Rated frequency range	50/60 Hz
Max. input current	0.12 A @ 230 Vac

#### Protection against voltage peaks

Withstand voltage	I/p-FG: 3.75 kVac, < 5 mA 60 sec
Mains surge immunity	L-N 0.5 kV

#### Total harmonic distortion (THD)

At rated input voltage range @ full load	≤ 20%
--	-------

#### Output data

Output current tolerance	± 5% at rated input voltage range
No load output voltage	55Vdc
Ripple output current	5% (ripple = peak/average total 100 Hz)
Output PstLM	≤ 1 at full load @ rated input voltage
Output SVM	≤ 0.4 at full load @ rated input voltage

#### Protection functions output side

Short circuit protection	Yes
--------------------------	-----

### Connection terminals

Connection terminal type	45° Push in terminal
Wire cross section	Input wire: 0.75...1.5 mm <sup>2</sup> ; Output wire: 0.5...1.5 mm <sup>2</sup> ;
Wire stripping length	7...8 mm

### Degree of protection

Protection rating	IP20
-------------------	------

### Operating data

Set output current	/
Default current	/
Output voltage range	25...40 Vdc
Noise level	< 20dB, at full load @ 100cm distance

### Circuit breaker / Inrush current

MCB loading quantity	Inrush current I <sub>peak</sub> : 4 A		Inrush current T <sub>width</sub> : 46.5 μs		
	MCB type	B10	C10	B16	C16
	Units	96	96	154	154

## Supplementary instructions

- The luminaire manufacturer is responsible for measuring and verifying the EMI compliance of the complete luminaire, as the level of radio interference will vary depending on the luminaire construction. Especially primary and secondary cable lengths and their routing may have a significant effect on radio interference.
- For the push DIM function, please follow our instructions, which can be downloaded from [www.cupower.com](http://www.cupower.com).

## Protection

- Over voltage protection: Hiccup mode. Protection will trigger when load voltage exceed specified output voltage and will auto recover after the fault mode is removed.
- Short circuit protection: Hiccup mode. Protection device will trigger when short circuit and will auto recover after the fault mode is removed.

## Environmental specifications

Operating temperature	-20...+45°C
Storage temperature	-25...+85°C
Working humidity	10%...90%
Store humidity	5%...90%
Lifetime	at Tc 85°C: 30,000 hrs; at Tc 75°C: 50,000 hrs; @ 230 Vac
Maximum Tc temperature	85°C

## Safety & EMC compliance

ENEC+CE
EN 61347-1:2015/A1:2021
EN 61347-2-13:2014/A1:2017
EN IEC 62384:2020
EN 61347-1:2015/A1:2021
EN 61347-2-13:2014/A1:2017
EN 62493:2015

CCC
GB 17625.1-2012
GB/T 17743-2021
GB 19510.1-2009
GB 19510.14-2009

SAA
AS/NZS 61347.2.13.2018
AS/NZS 61347.1:2016+A1:2018

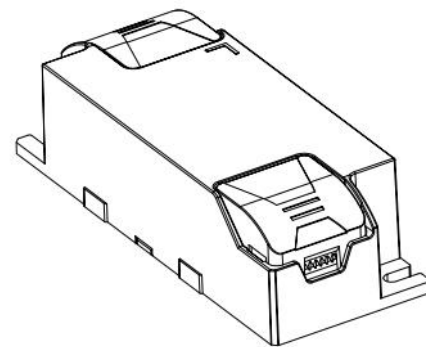
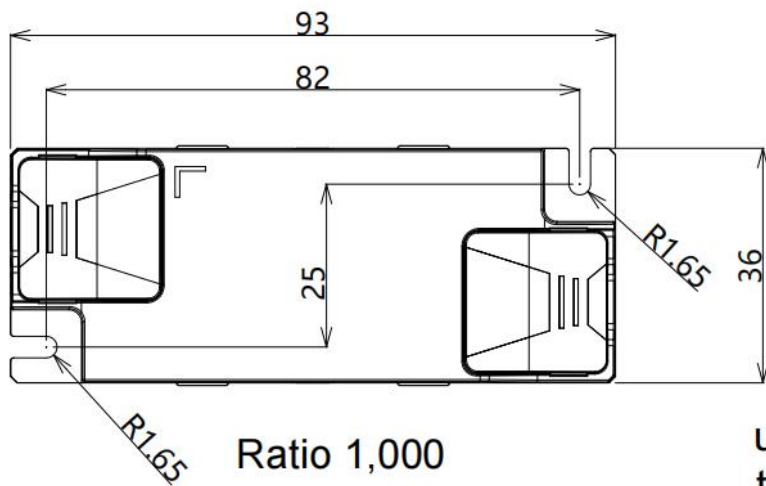
### Dimensions

#### Housing dimensions

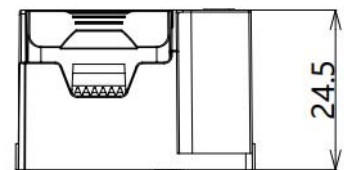
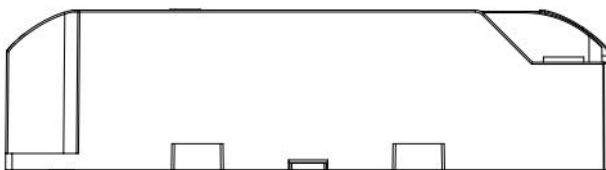
Length (L)	93 mm
Width (W)	36 mm
Height (H)	24.5 mm
Weight	0.048 kg

#### Packaging details

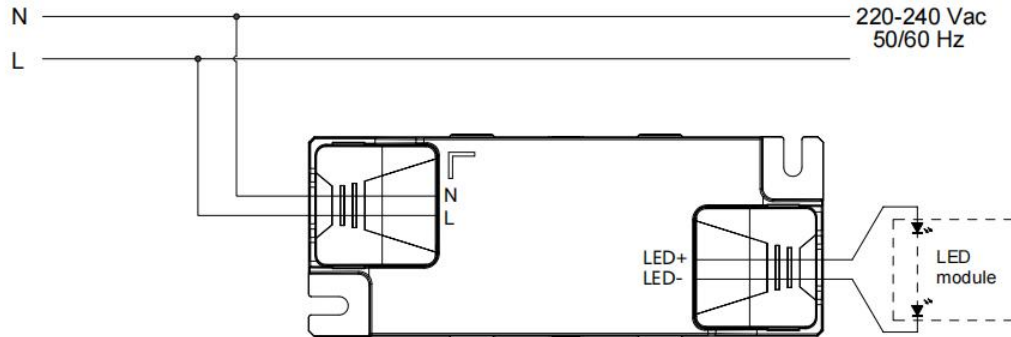
Packing units	80 pcs
Carton size	300 x 252 x 180 mm
Weight	4.35 kg



unit:mm  
tol:±0.2mm



### Wiring diagram



- All connections must be as short as possible to ensure good EMI performance.
- The luminaire wire should keep a certain distance from the LED power supply and other wires (5 - 10 cm is preferred).
- No secondary switches are allowed.
- Incorrect wiring can damage the LED.
- The wire must be well protected against short circuit.

### Technical information

