

Product features

- Isolated adjustable power LED driver
- Supports DALI-2, push DIM control
- Current adjustment via NFC
- Supports i-Data function (DALI part 251, 252, 253)
- Output current 100...700 mA
- Max. output power 28 W
- DC emergency
- Flicker-free, dimming range 1%...100% (amplitude dimming)
- Current output default value 100%
- For luminaires with protection class II



Product specifications

167128 ID ECSCI 28/230/100-700 DALI NFC B

| Output current | Input voltage | Output voltage | Efficiency @ full load | Current accuracy | Power factor @ full load | Dimension L x W x H (mm) |
|----------------|--------------------------------|----------------|------------------------|------------------|---|--------------------------|
| 100...700 mA | 220...240 Vac 220...240 Vdc | 9...42 Vdc | 89% (@ 40 V 700 mA) | ± 5% | 0.9 (Output Power >10 W @ 230 Vac 50 Hz) | 205 x 31 x 42 |

Electrical specifications

Mains voltage supply

| | |
|---------------------------|-------------------------------------|
| Rated input voltage range | 220...240 Vac |
| Max. input voltage range | 198...264 Vac |
| Rated frequency range | 0/50/60 Hz |
| Max. input current | 0.15 A @ 230 Vac & 0.15 A @ 230 Vdc |

Battery operation

| | |
|-----------------------|---------------|
| DC voltage range | 220...240 Vdc |
| Max. DC voltage range | 176...280 Vdc |

Protection against voltage peaks

| | |
|----------------------|---|
| Withstand voltage | l/p-O/p: 3 kVac, < 5 mA 60 sec, l/p-Da: 1.5 kVac, < 5 mA 60 sec, O/p-Da: 1.5 kVac, < 5 mA 60 sec |
| Mains surge immunity | L-N 1 kV |

Total harmonic distortion (THD)

| | |
|--|-----|
| At rated input voltage range @ full load | 10% |
|--|-----|

Output data

| | |
|--------------------------|---|
| Output current tolerance | ± 5% at rated input voltage range |
| No load output voltage | ≤ 55 Vdc |
| Ripple output current | 5% (ripple = peak/average total 100 Hz) |
| Output PstLM | ≤ 1 at full load @ rated input voltage |
| Output SVM | ≤ 0.4 at full load @ rated input voltage |
| DC emergency level | DALI current output decreased to 15% (programmable) |

Protection functions output side

| | |
|--------------------------|--|
| Overvoltage protection | The output voltage is less than or equal to 55 V |
| Overpower protection | The output power is less than or equal to 31 W |
| Short circuit protection | Protection device will trigger when short circuit and will auto recover after the fault mode is removed. |

Dimming operation and interface

| | |
|---------------------------|----------------------|
| Standby power consumption | < 0.3 W |
| Dimming mode | DALI-2, push dimming |
| Dimming method | Amplitude dimming |
| Dimming current range | 1%...100% |

Connection terminals

| | |
|--------------------------|---|
| Connection terminal type | The output terminal is a 45° push-in terminal |
| Wire cross section | Output wire: 0.5...1.5 mm ² |
| Wire stripping length | 8...9 mm |

Degree of protection

| | |
|-------------------|------|
| Protection rating | IP20 |
|-------------------|------|

Operating data

| | |
|----------------------|---|
| Output current range | NFC control adjusts the current: 100...700 mA |
| Default current | 100 mA |
| Output voltage range | 9...42 Vdc |

Circuit breaker / Inrush current

| | | | | | |
|----------------------|---|-----|-----|--|-----|
| MCB loading quantity | Inrush current I _{peak} : 27.5 A | | | Inrush current T _{width} : 135 µs | |
| | MCB type | B10 | C10 | B16 | C16 |
| | Units | 34 | 57 | 55 | 91 |

Supplementary instructions

- The luminaire manufacturer is responsible for measuring and verifying the EMI compliance of the complete luminaire, as the level of radio interference will vary depending on the luminaire construction. Especially primary and secondary cable lengths and their routing may have a significant effect on radio interference.
- For the push DIM function, please follow our instructions, which can be downloaded from www.cupower.com.
- The recommended NFC communication distance: 5...20 mm.

Environmental specifications

| | |
|------------------------|----------------------------------|
| Operating temperature | -20... +35°C |
| Storage temperature | -25... +85°C |
| Working humidity | 10%...90% |
| Store humidity | 5%...95% |
| Lifetime | at Tc 65°C: 50,000 hrs @ 230 Vac |
| Maximum Tc temperature | 70°C |

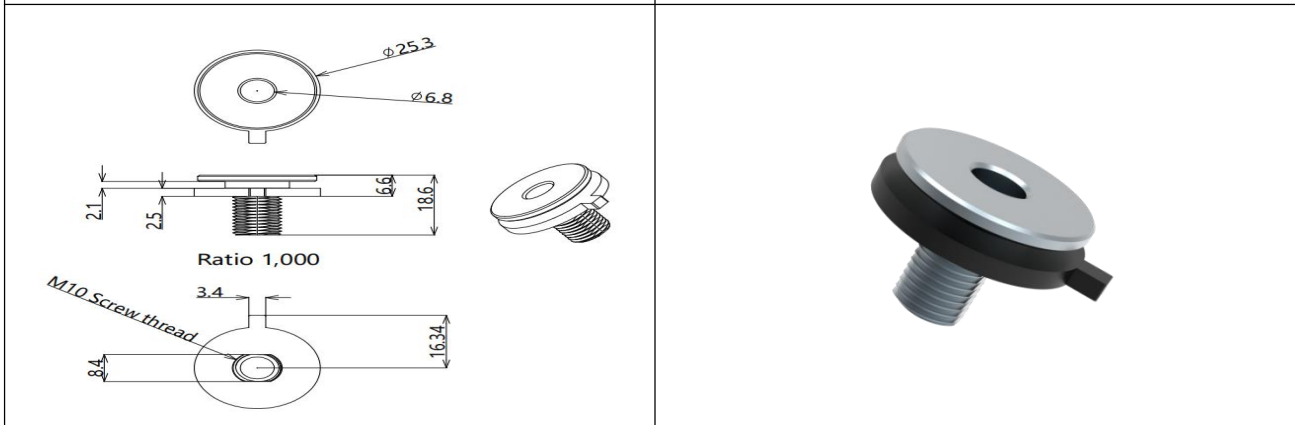
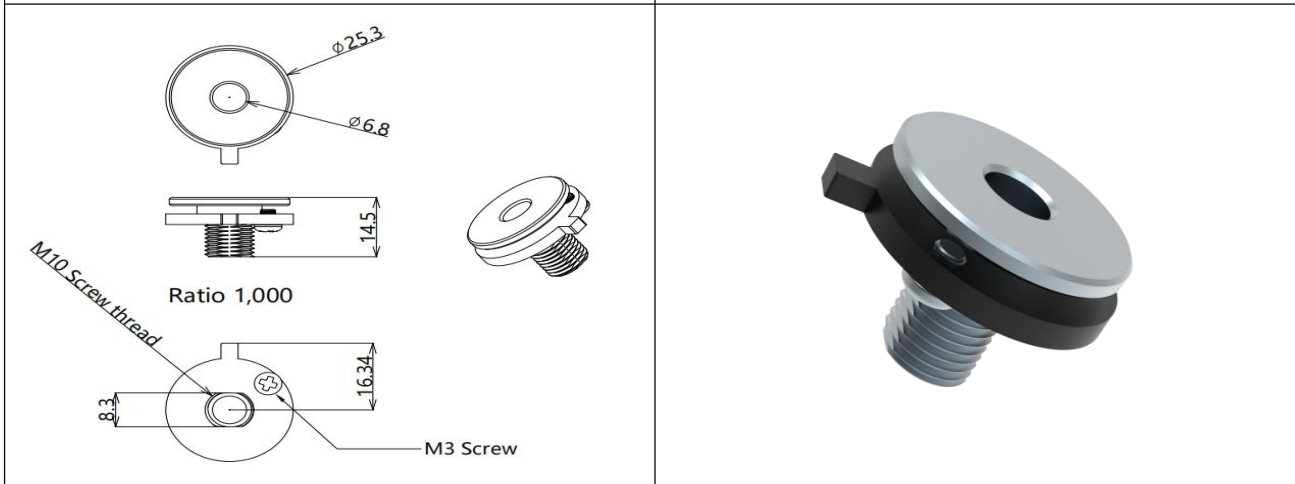
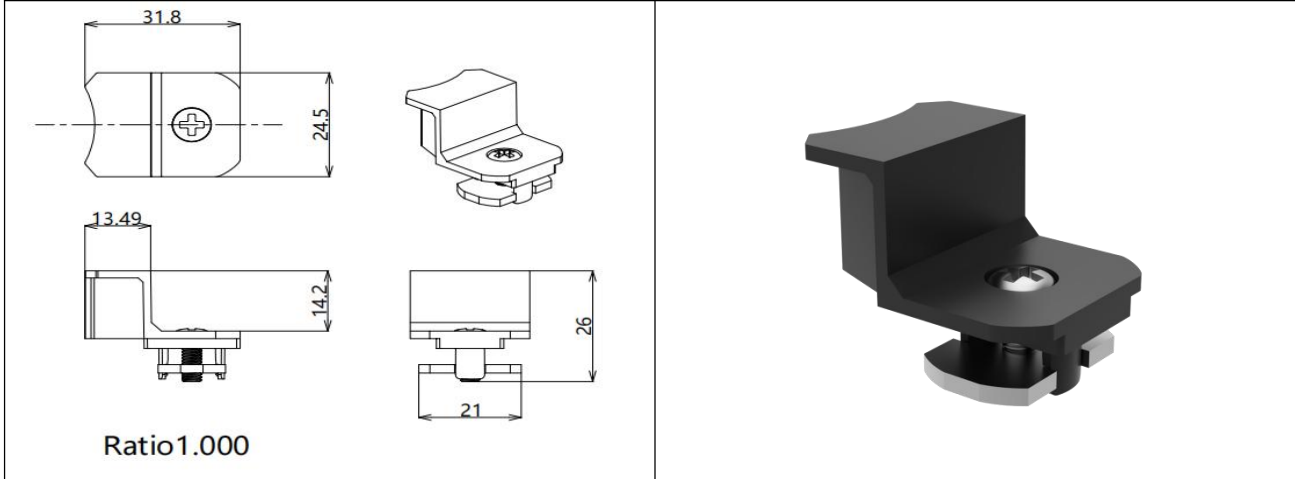
Safety & EMC compliance

| ENEC+CE | CCC | SAA |
|-----------------------------------|-----|-----------------------------|
| EN 300 330 V2.1.1:2017 | / | AS/NZS 61347.1:2016+A1:2018 |
| EN 62479:2010 | / | AS 61347.2.13:2018 |
| EN 50663:2017 | / | / |
| EN 301 489-1 V2.2.3:2019 | / | / |
| EN 301 489-3 V2.3.2:2023 | / | / |
| EN IEC 55015:2019/A11:2020 | / | / |
| EN IEC 61547:2023 | / | / |
| EN IEC 61000-3-2:2019/A1:2021 | / | / |
| EN 61000-3-3:2013/A1:2019/A2:2021 | / | / |
| EN 61347-1:2015/A1:2021 | / | / |
| EN 61347-2-13:2014/A1:2017 | / | / |
| EN 62493:2015/A1:2022 | / | / |
| | | |

Compatible Track

| Manufacturer/trademark | Model |
|------------------------|-------------------------|
| Powergear | PRO-06XX |
| GLOBAL | XTSC 6xxx |
| GLOBAL | XTSCF 6xxx |
| A.A.G STUCCHI | 9000A series |
| EUTRAC | XX-Y XX-Y 19-XX-Y |
| Unipro | T3XXXseries |
| ZUMTOBEL | S280ZZZ |
| IVELA | 75XX-XX-XX |
| iGuzzini | P2XX |
| XAL | MOVE IT PRO series |

Accessories (optional)



| Art. | Dimensions | Length (mm) | Width (mm) | Height (mm) |
|--------|---------------|-------------|------------|-------------|
| 167838 | XZ-TRACK-A B | 31.8 | 24.5 | 26 |
| 167852 | XZ-TRACK-A1 B | 25.3 | 25.3 | 18.6 |
| 168132 | XZ-TRACK-B B | 25.3 | 25.3 | 18.6 |

The first two accessories are designed for EL certification of the entire lamp.
The third accessory is an optional threaded sleeve for lamp installation.

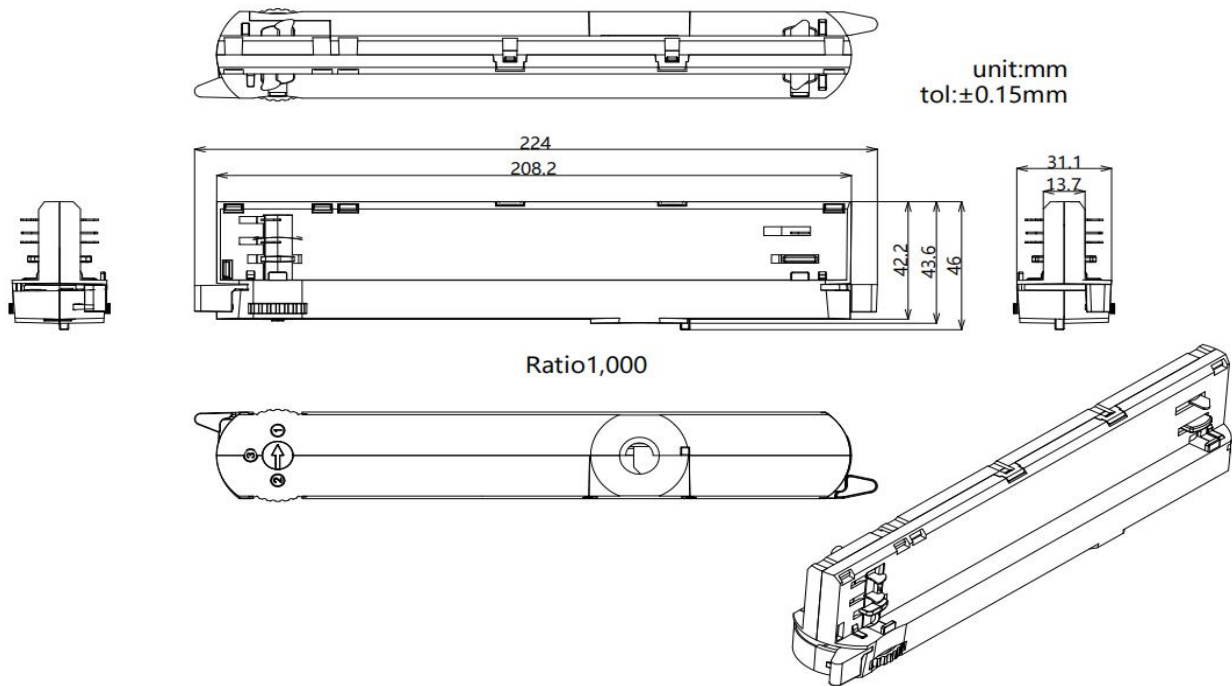
Dimensions

Housing dimensions

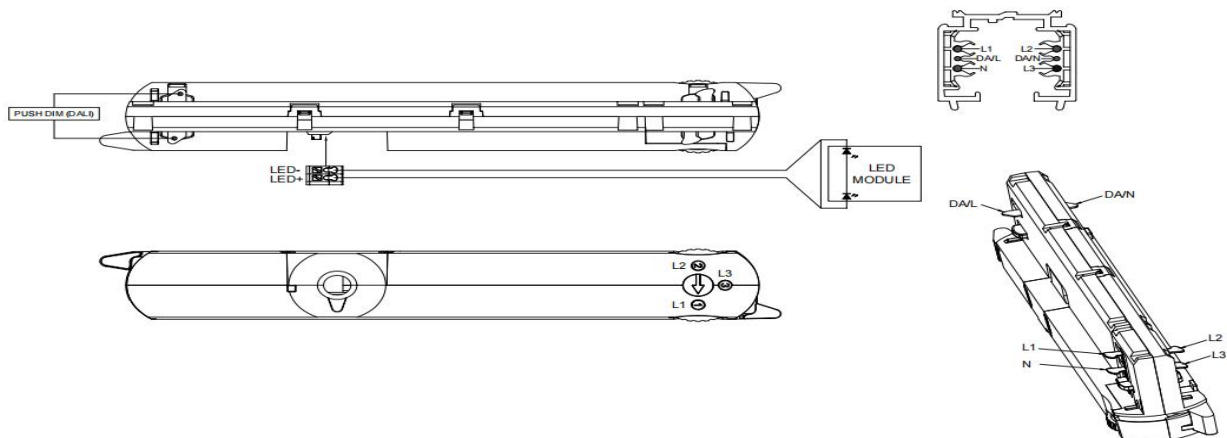
| | |
|------------|---------|
| Length (L) | 208 mm |
| Width (W) | 31 mm |
| Height (H) | 42.2 mm |
| Weight | 0.14 kg |

Packaging details

| | |
|---------------|--------------------|
| Packing units | 50 pcs |
| Carton size | 383 x 219 x 258 mm |
| Weight | 7.2 kg |

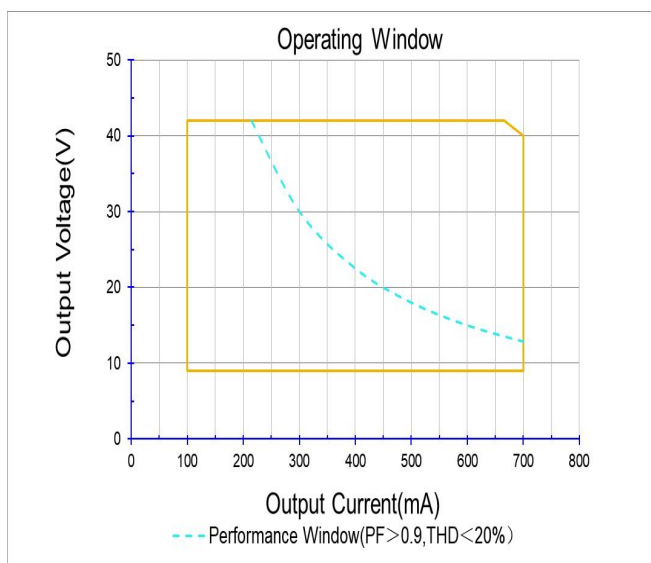
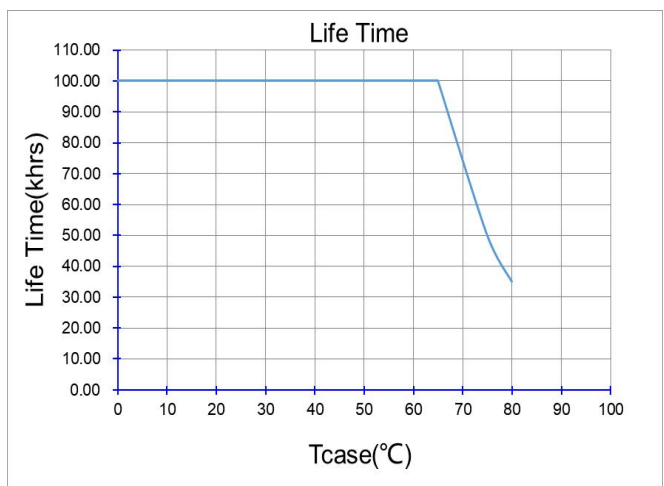
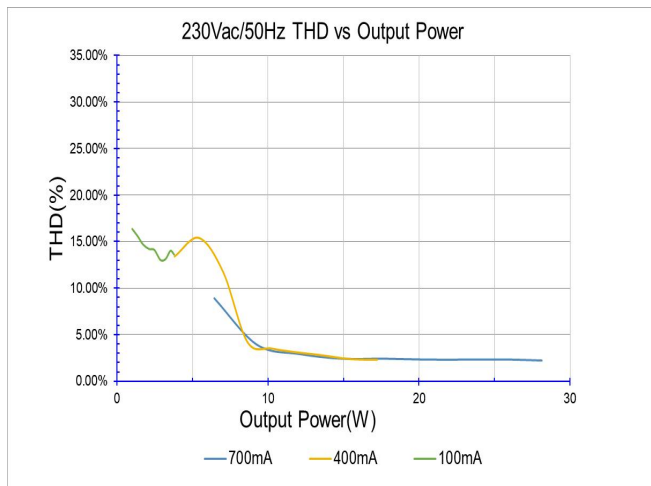
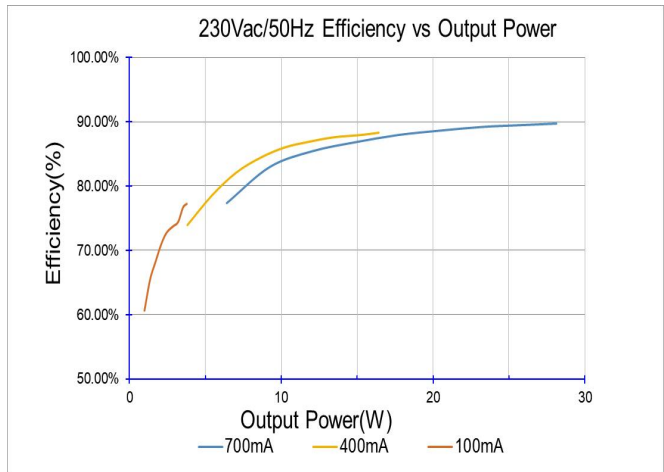
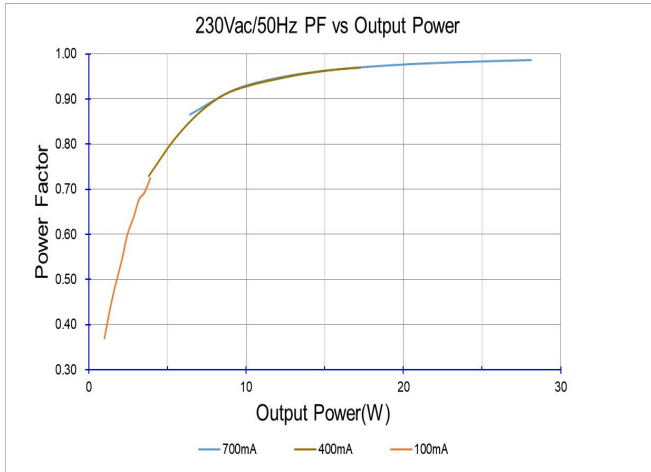


Wiring diagram



- All connections must be as short as possible to ensure good EMI performance.
- The luminaire wire should keep a certain distance from the LED power supply and other wires (5...10 cm is preferred).
- No secondary switches are allowed.
- Incorrect wiring can damage the LED.
- The wire must be well protected against short circuit.

Technical information



It's important to set the output current (AOC value) according to the LED voltage and make sure the power is within 28 W + 5%.

Example of AOC settings

| V LED (Vdc) | AOC max | Pout (W) |
|-------------|---------|----------|
| 42 | 666 mA | 28 |
| 30 | 700 mA | 21 |
| 40 | 700 mA | 28 |